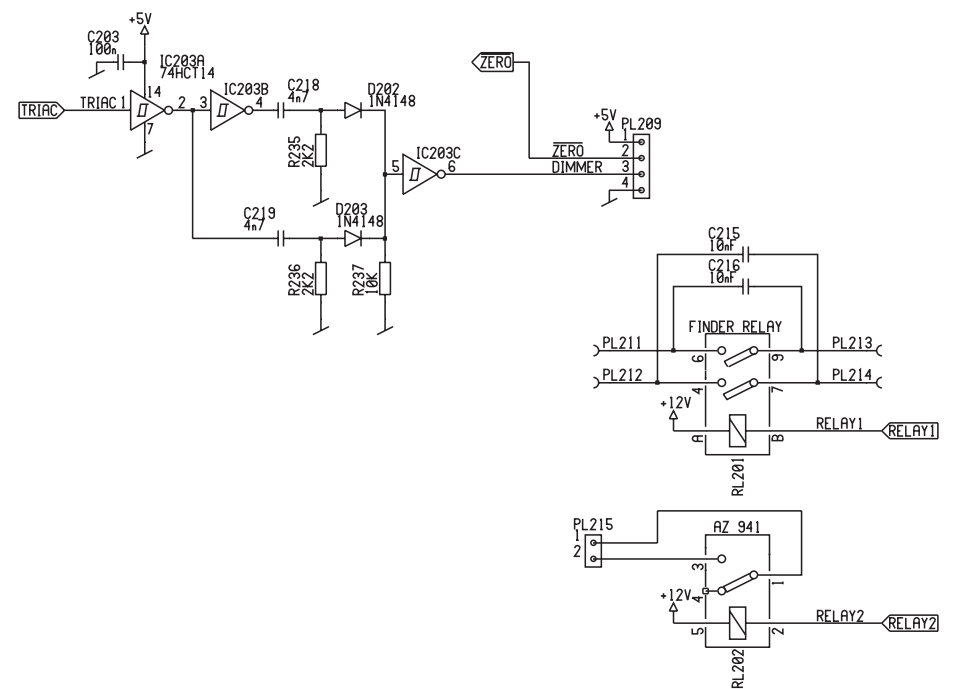
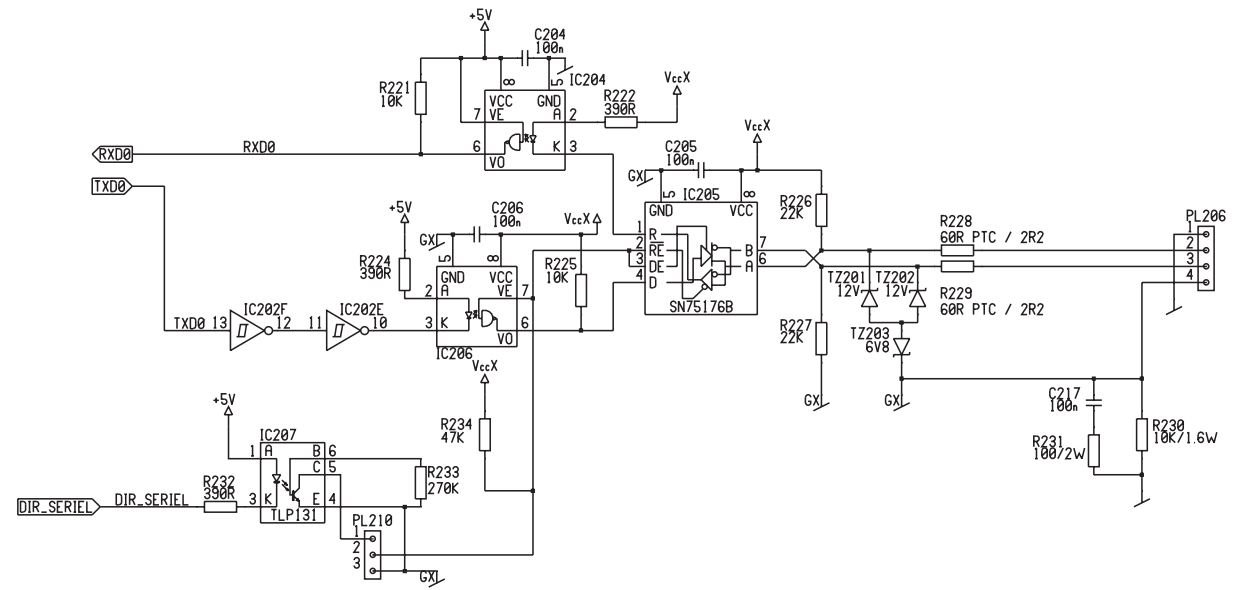
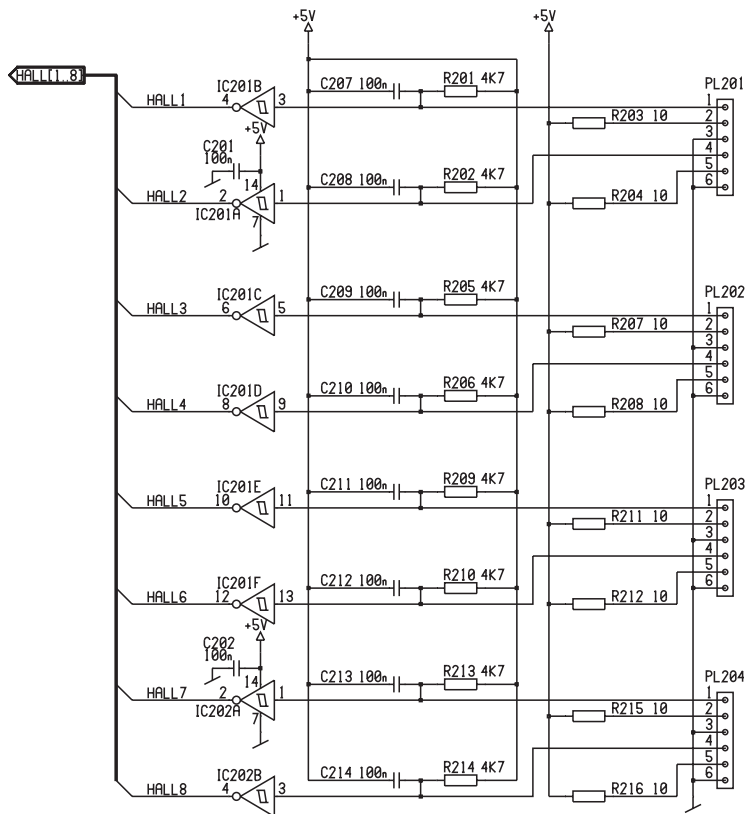
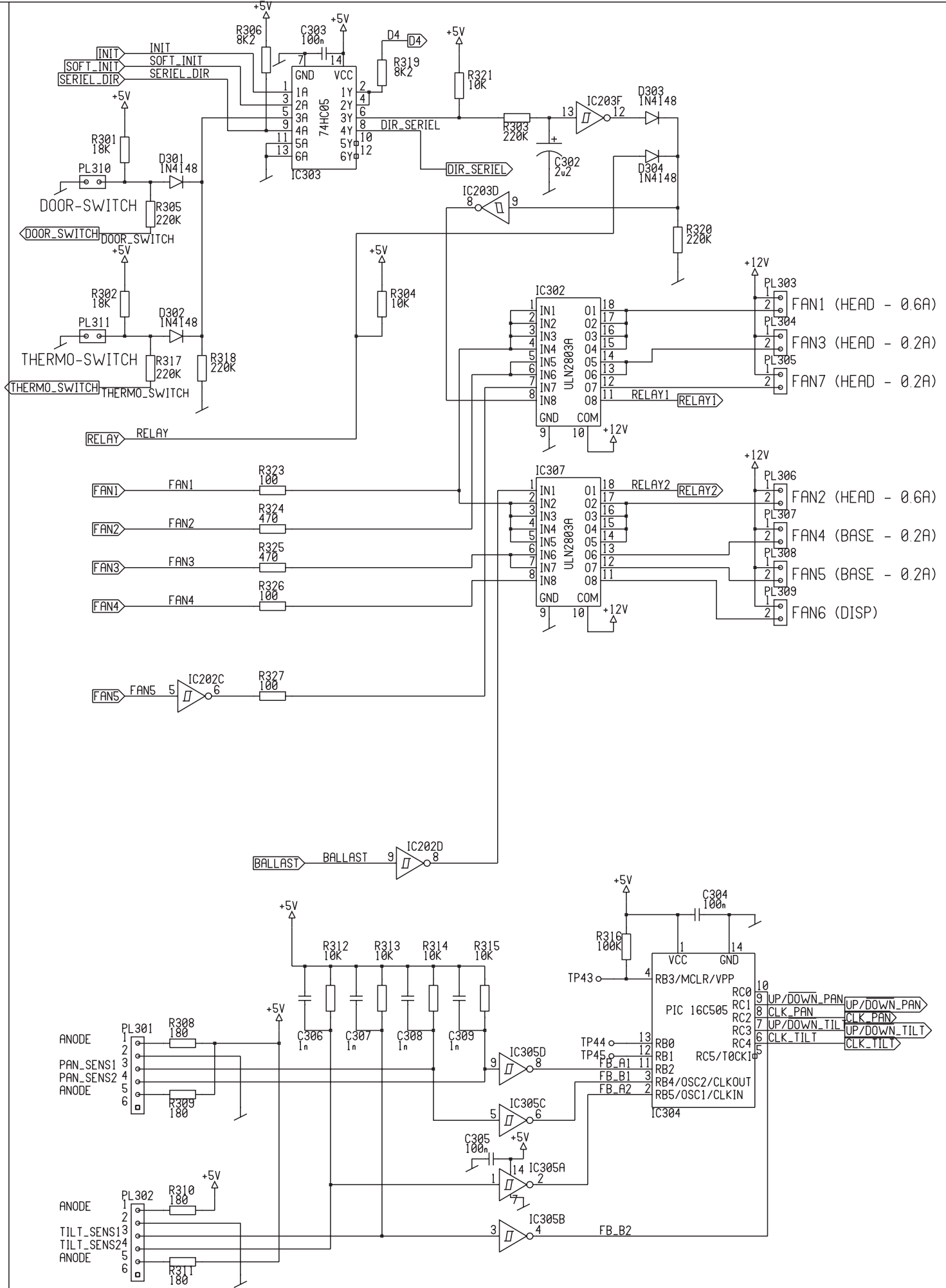


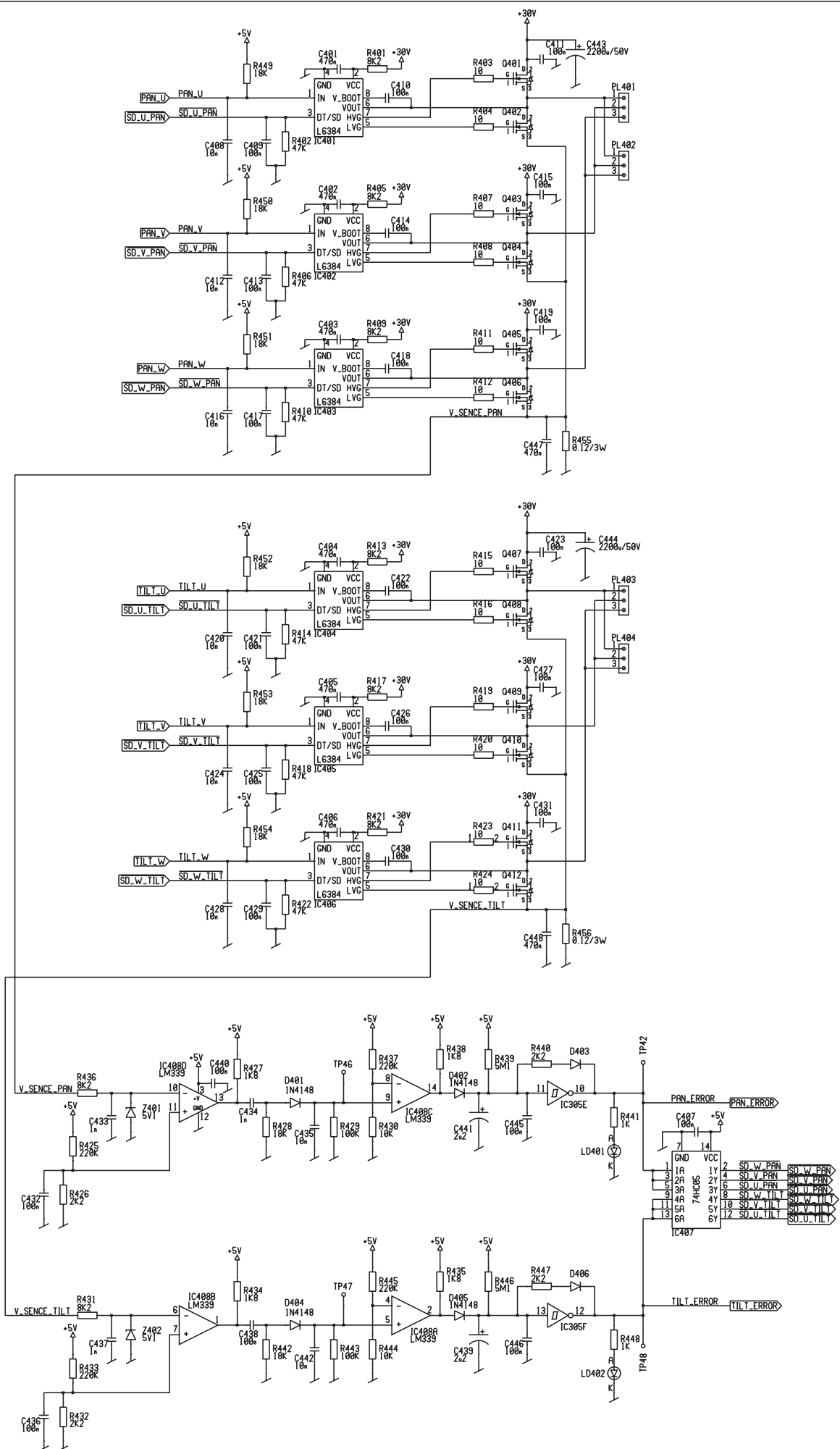
PRODUCT	MAC2000 MAIN BOARD			ENG.	Martin Professional A/S		
NAME	000064C0.SCH / 001513C.PCB			REVISION C0	PAGE 1	OF 9	
				DRAWN BY BH			
				DATE 14/06/00	TIME 14:29		



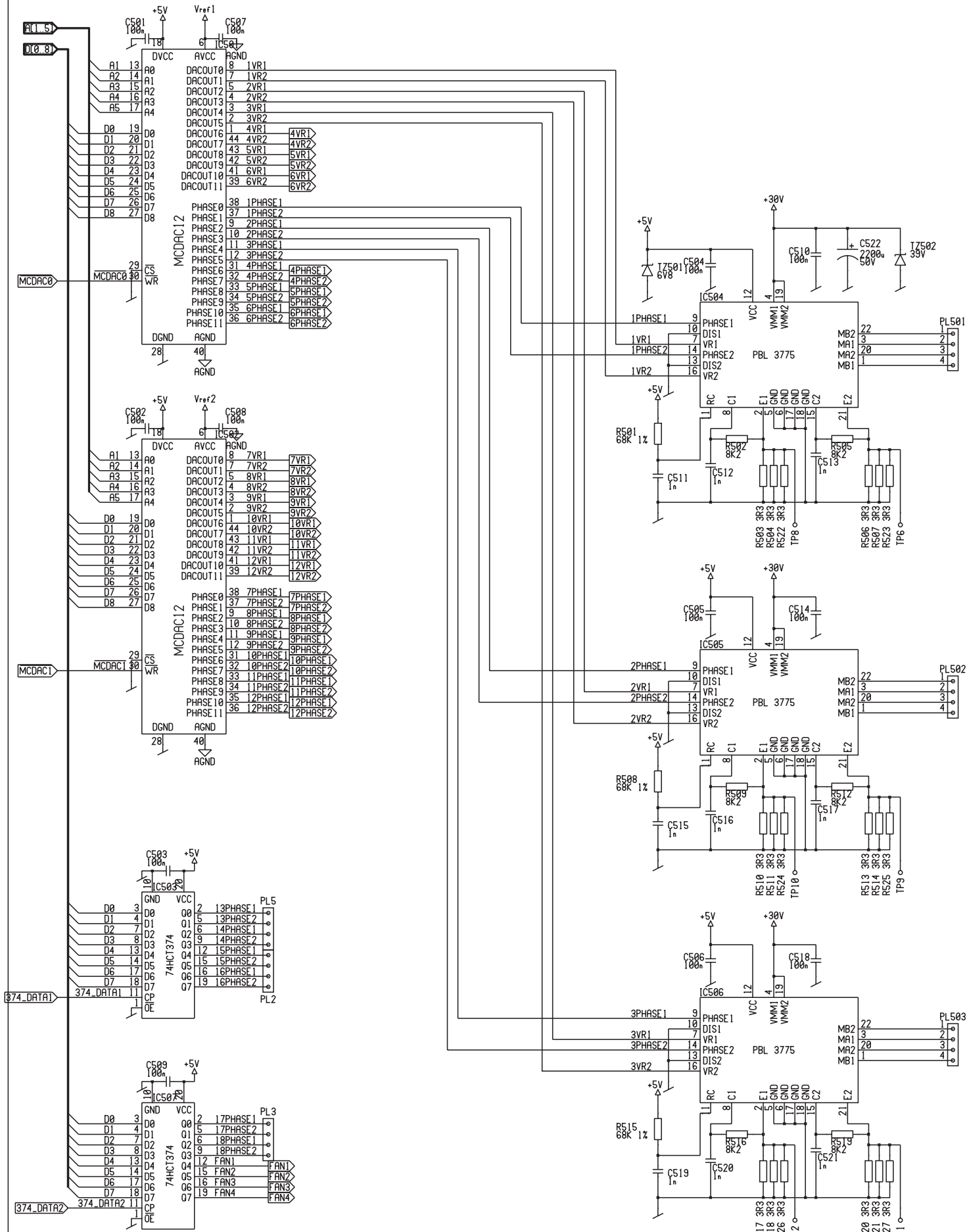
PRODUCT	MAC2000 MAIN BOARD			ENG.	Martin Professional A/S		
NAME	000064C0.SCH / 001513C.PCB			REVISION	C0	PAGE	2 OF 9
				DRAWN BY	BH		
				DATE	14/06/00	TIME	14:30



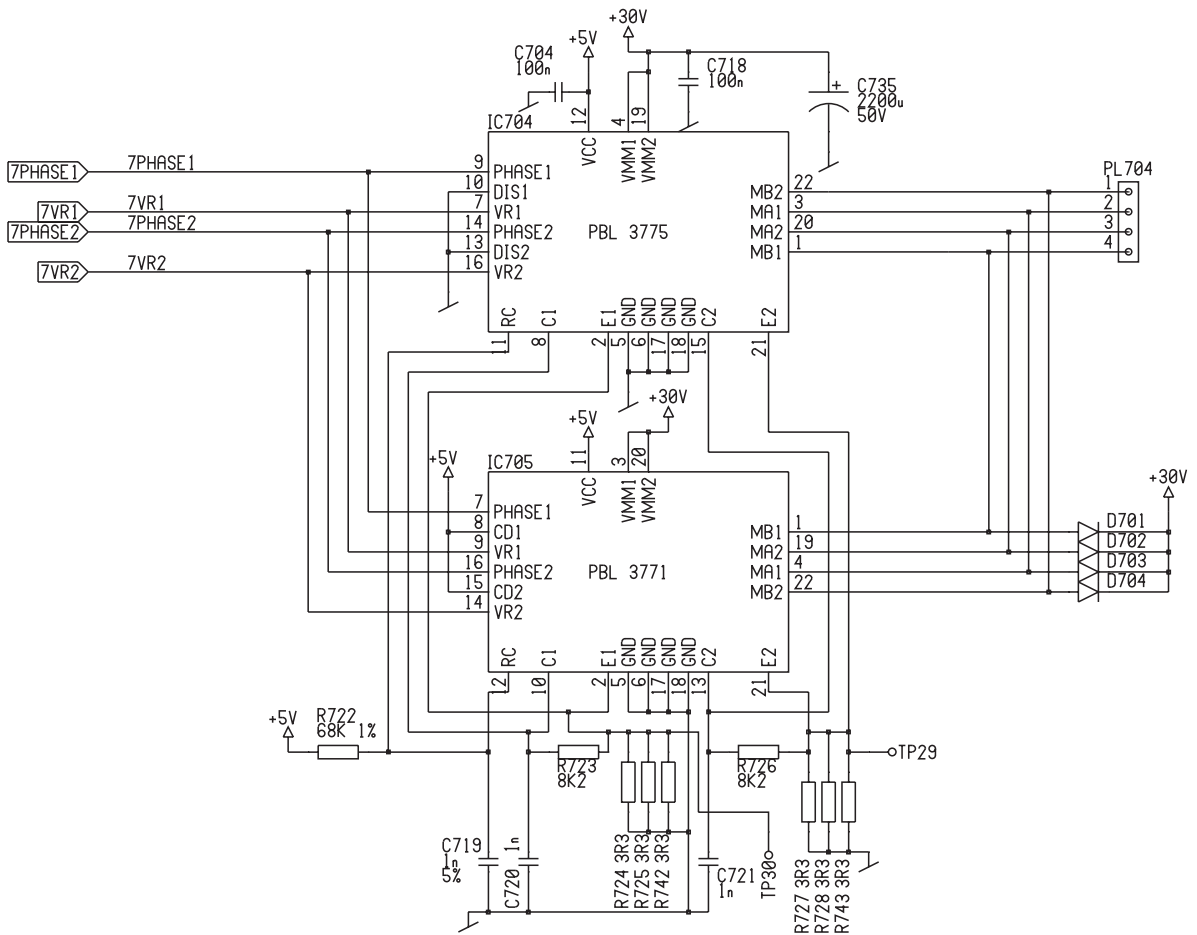
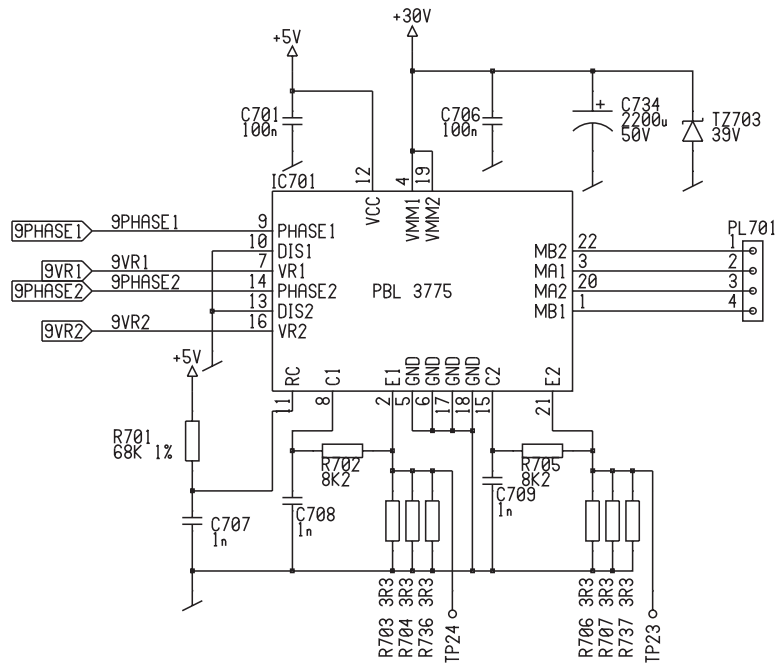
PRODUCT	MAC2000 MAIN BOARD		ENG.	Martin Professional A/S	
NAME	000064C0.SCH / 001513C.PCB		REVISION C0	PAGE 3	OF 9
			DRAWN BY BH		
			DATE 14/06/00	TIME 14:30	



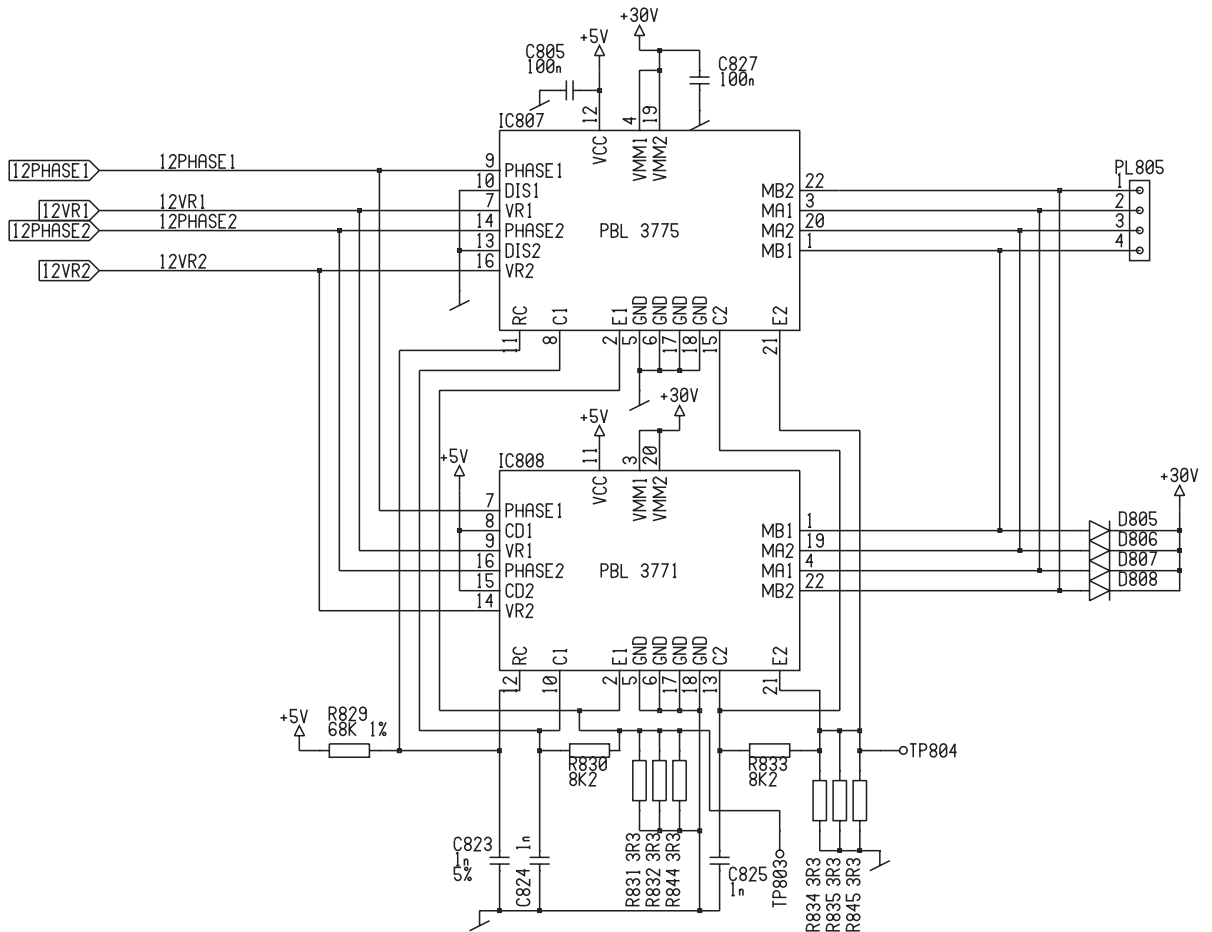
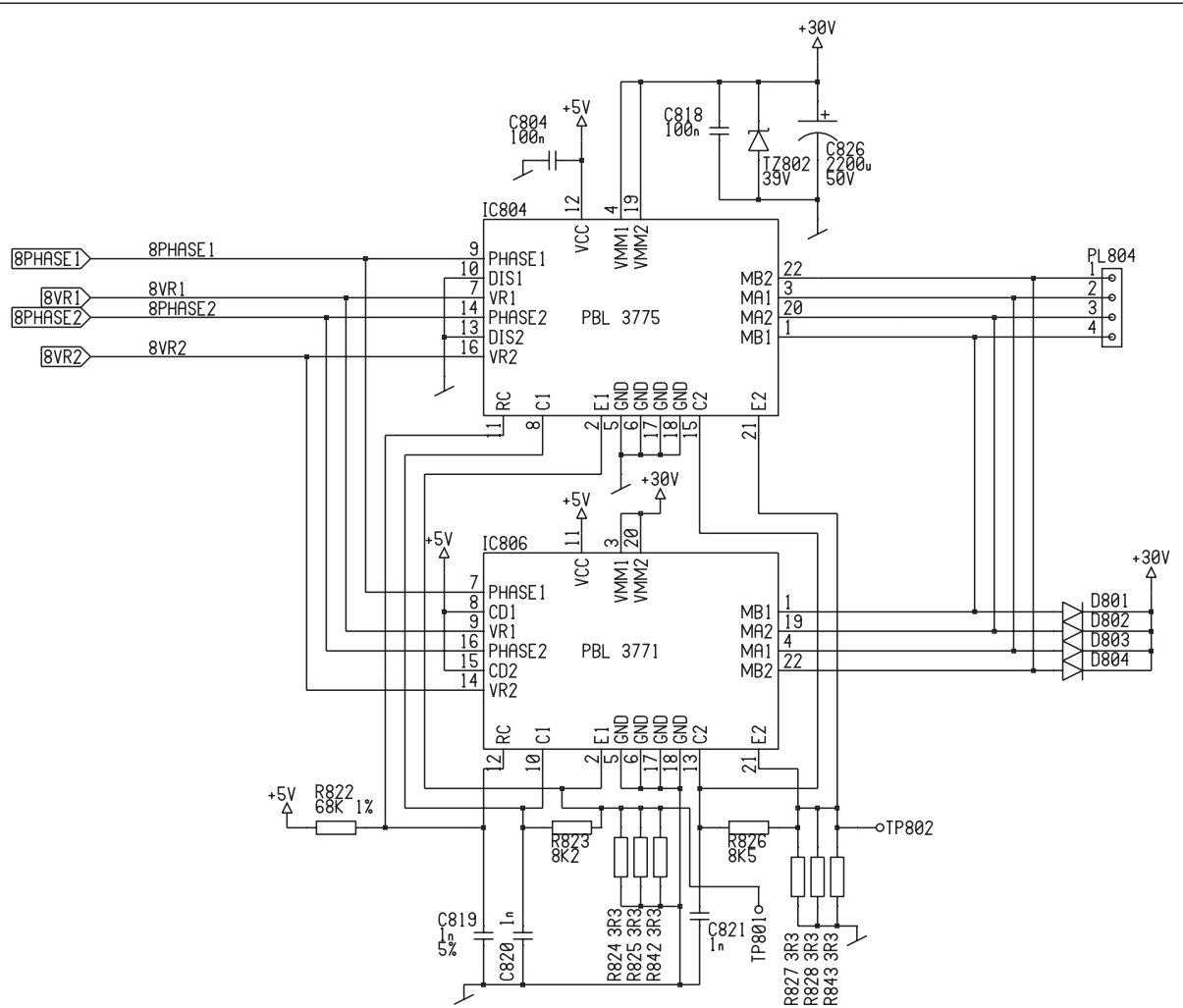
PRODUCT	MAC2000 MAIN BOARD	ENG.	Martin Professional A/S
NAME	000064C0.SCH / 001513C.PCB	REVISION	C0 PAGE 4 OF 9
		DRAWN BY	BH
		DATE	14/06/00 TIME 14:31



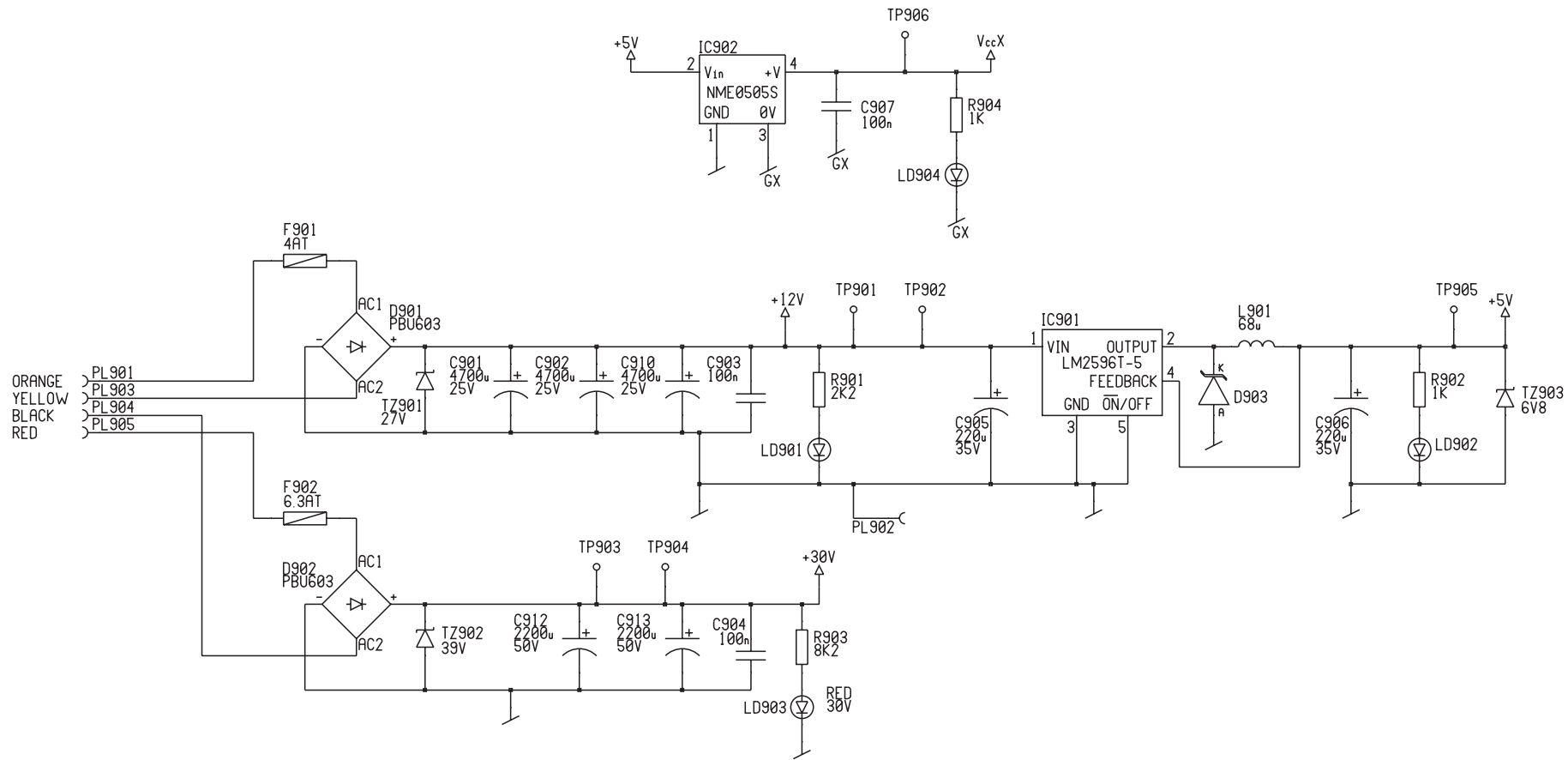
PRODUCT	MAC2000 MAIN BOARD	ENG.	Martin Professional A/S
NAME	000064C0.SCH / 001513C.PCB	REVISION	C0
		PAGE	5
		OF	9
		DRAWN BY	BH
		DATE	14/06/00
		TIME	14:32



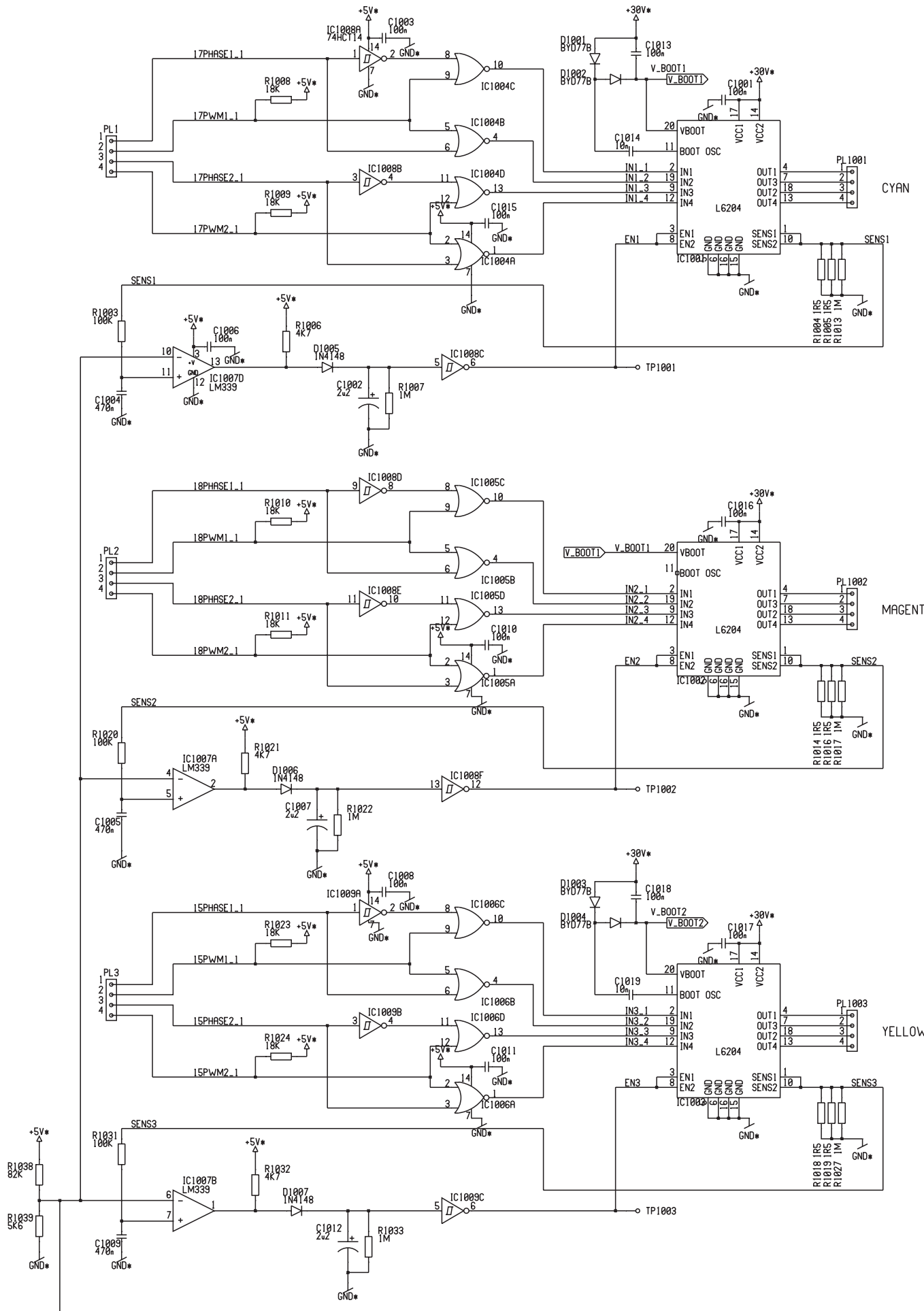
PRODUCT	MAC2000 MAIN BOARD		ENG.	Martin Professional A/S	
NAME	000064C0.SCH / 001513C.PCB		REVISION C0	PAGE 7	OF 9
			DRAWN BY BH		
			DATE 14/06/00	TIME 14:33	



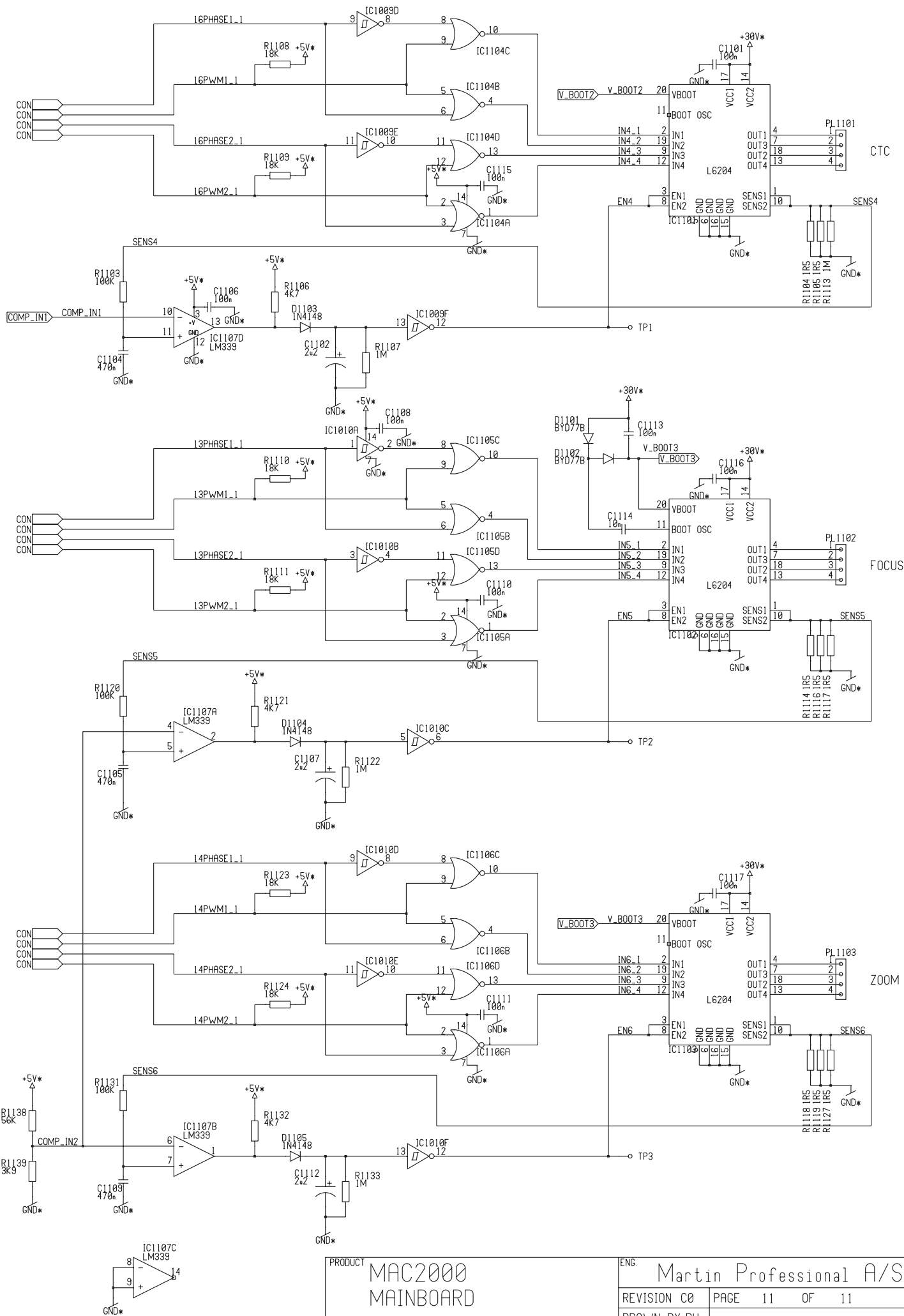
PRODUCT	MAC2000		ENG.	Martin Professional A/S	
	MAIN BOARD			REVISION C0	PAGE 8
NAME	000064C0.SCH / 001513C.PCB		DRAWN BY BH		
			DATE 146/06/00	TIME 14:33	



PRODUCT		MAC2000		ENG.		Martin Professional A/S	
		MAIN BOARD		REVISION C0		PAGE 9 OF 9	
NAME		000064C0.SCH / 001513C.PCB		DRAWN BY BH			
				DATE 14/06/00		TIME 14:34	



PRODUCT		MAC2000 MAIN BOARD		ENG.		Martin Professional A/S	
REVISION		C0		PAGE		10. OF 11	
DRAWN BY		BH		DATE		14/06/00	
NAME		000064C0.SCH / 01001513C.PCB		TIME		14:36	



PRODUCT
**MAC2000
 MAINBOARD**
 NAME
 000064C0.SCH - 001513C.PCB

ENG.
Martin Professional A/S
 REVISION C0 PAGE 11 OF 11
 DRAWN BY BH
 DATE 20/11/01 TIME 15:25